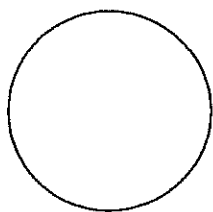
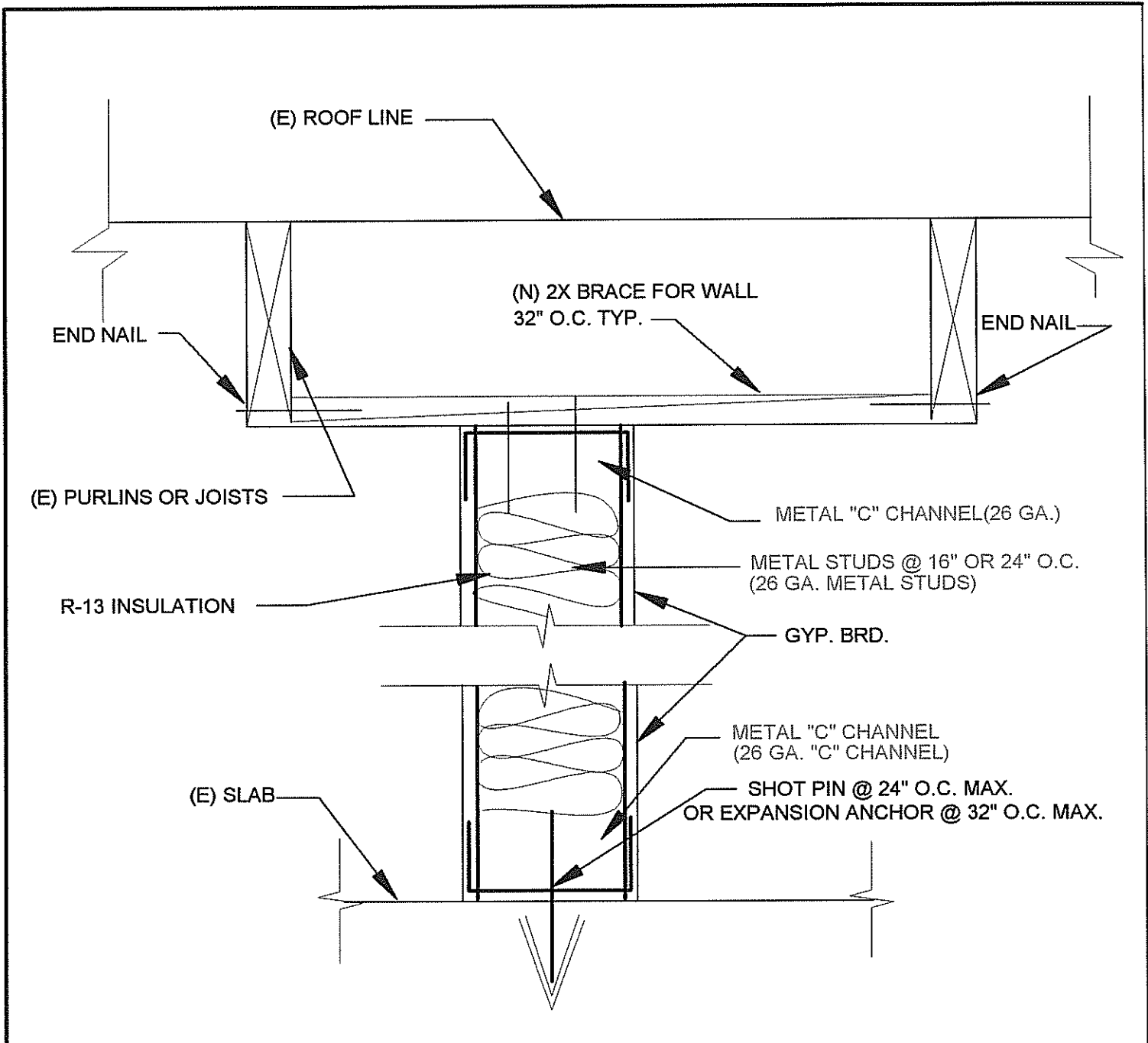


METAL STUDS AT DOOR OPENINGS
SHALL BE MIN. 24 GA. W/WOOD BACKING

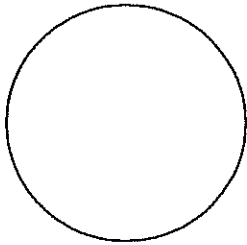
TYPICAL METAL FRAME WALL DETAIL
OR DEMISING WALL



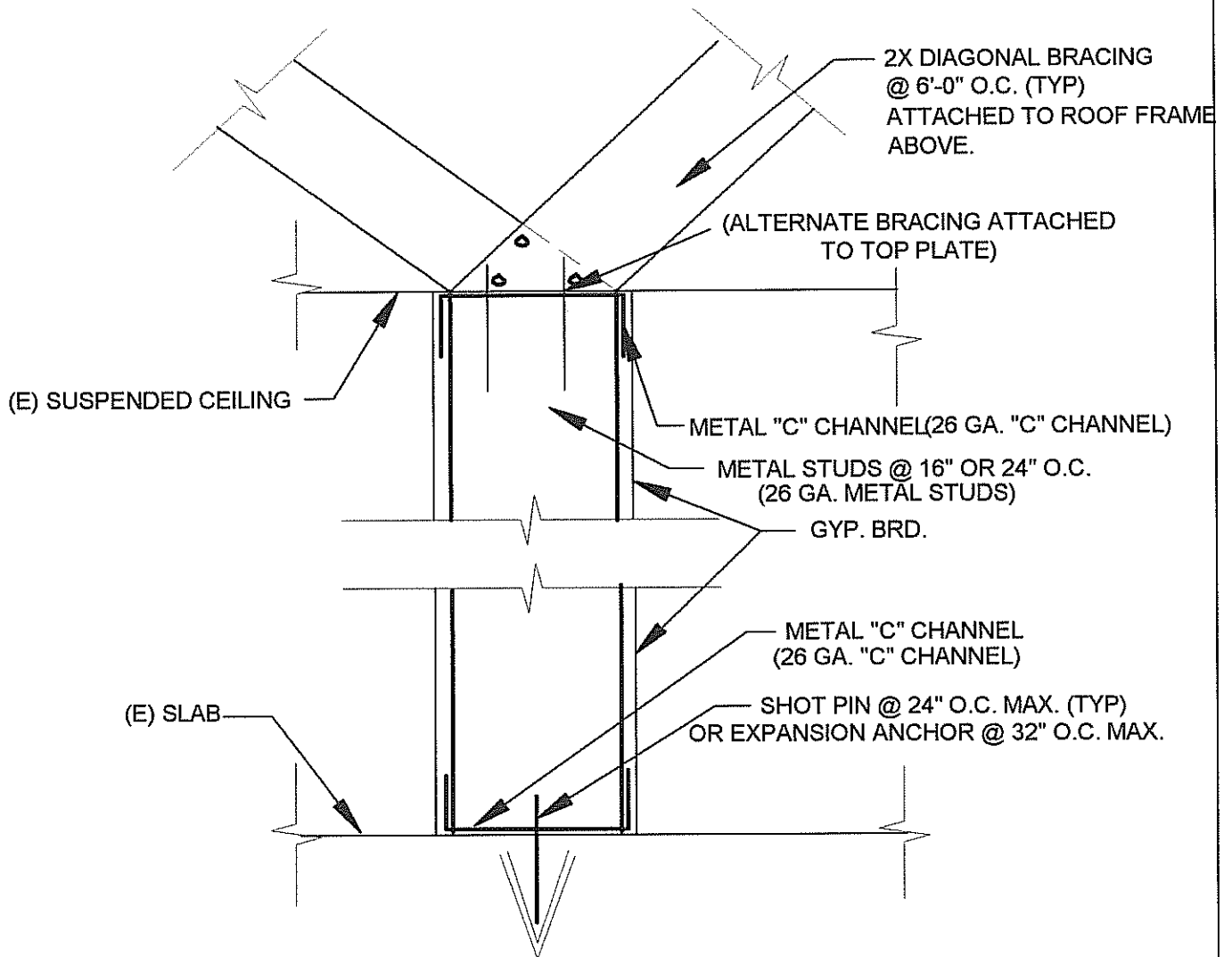


METAL STUDS AT DOOR OPENINGS
SHALL BE MIN. 24 GA. W/WOOD BACKING

TYPICAL METAL FRAME WALL DETAIL
OR DEMISING WALL



METAL STUDS @ DOOR OPENINGS
SHALL BE MIN. 24 GA. W/WOOD BACKING



TYPICAL METAL FRAME WALL DETAIL